

# Zen Ice

## Cold Drinking Water Taps Solo, Spa or Life



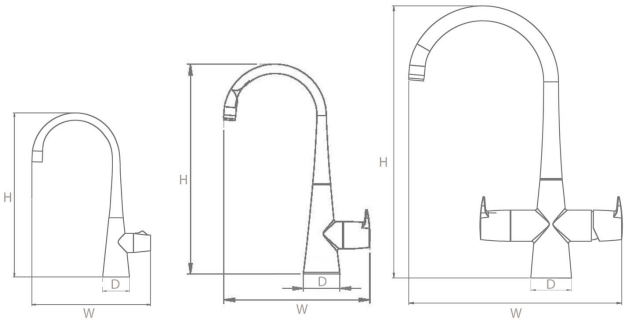
### Usage

The elegant Zen Ice tap range can be used to supply varying combinations of cold (ambient) and chilled water. The Ice Solo and Ice Spa are ideal for use with the Zen Font with Drain. All of the Zen Ice range taps are suitable for use in many domestic and commercial applications including office kitchens and canteens.

### Features and Benefits

- Stylish and practical Zen range tap
- Suitable for filling sports bottles and carafes
- Instant high quality filtered drinking water. Filter and installation kit supplied with all models (F1T). (See page 32).
- 360° swivel tap
- Polished chrome finish as standard. Other finishes available on request.
- Zen Ice Solo single outlet tap provides any one of cold (ambient) or chilled water
- Connect your Zen Ice Solo tap directly to the mains cold water supply for a low cost filtered cold (ambient) only drinking water option
- Team your chosen tap with our Undersink Sapphire Water Chiller if you want to provide chilled water (page 24 - 27)
- Zen Ice Spa double outlet tap will provide cold (ambient) and chilled water
- Zen Ice Life combines hot and cold kitchen mixer with any one of cold (ambient) or chilled water options

Product Code	Tap Type	360° Swivel
ICESOLO	Single outlet	Yes
ICESPA	Double outlet	Yes
ICELIFE	Kitchen mixer plus single outlet	Yes



### Outer Casing

Polished chrome finish  
Other tap finishes available on request at additional cost (page 13)

### Installation

Required hole diameter for mounting the tap 32mm.  
Fits in a standard sink.  
Sink/ counter top up to 50mm thick.

### Plumbing

Must be installed by a suitably qualified person.

Supplied with all fittings required including adaptors to facilitate connection to 15mm copper pipe.

### Standard Warranty

2 year parts or replacement warranty.

Product Code	Height (mm)	Width (mm)	Depth (mm)	Weight (kg)
ICESOLO	288	152	49	1.1
ICESPA	320	224	56	1.6
ICELIFE	365	286	56	2.5